

# Pittsburgh Outdoor Dining

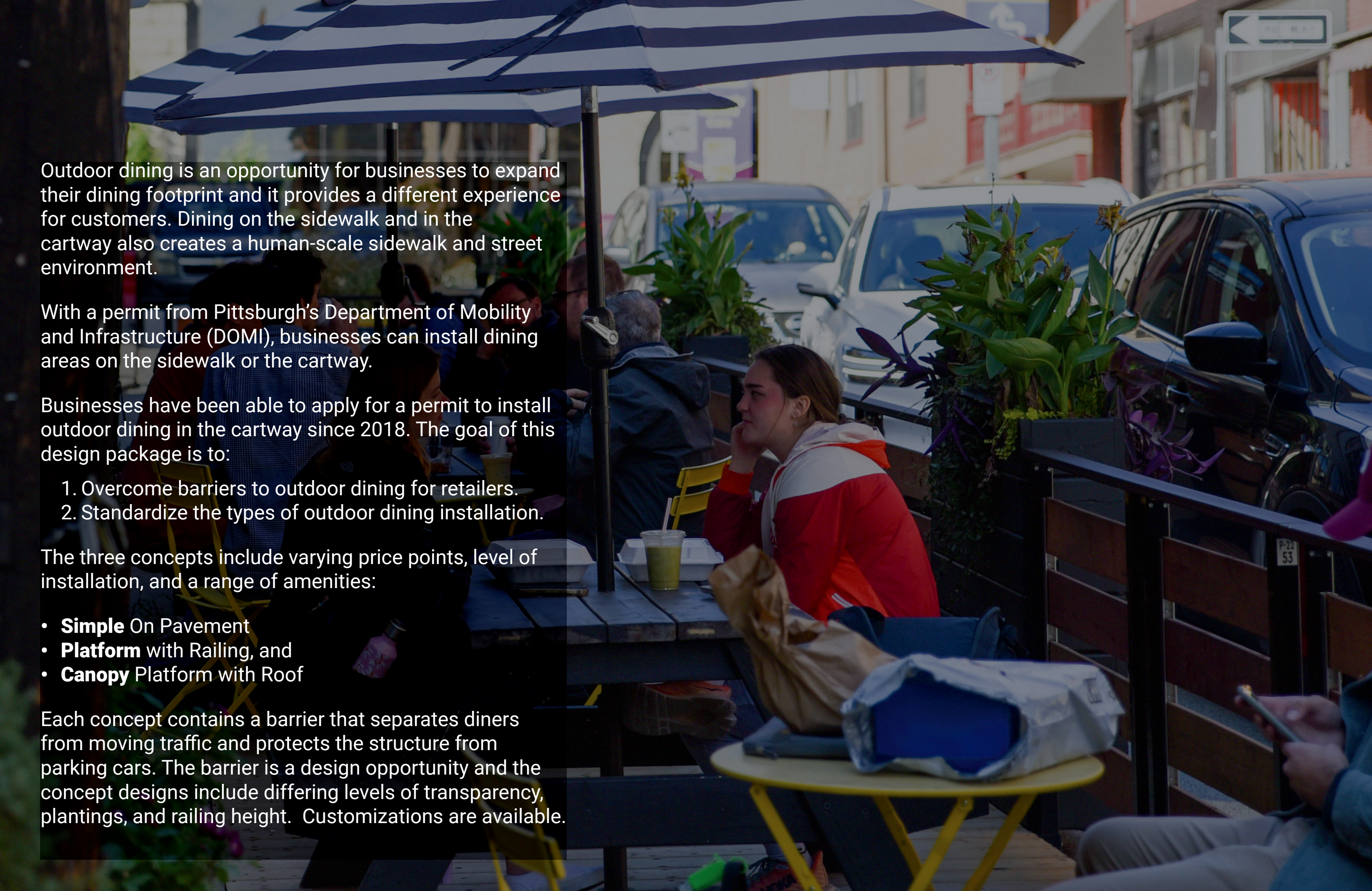


Concept Designs  
2023

**ura**

**TOOLE**  
DESIGN





Outdoor dining is an opportunity for businesses to expand their dining footprint and it provides a different experience for customers. Dining on the sidewalk and in the cartway also creates a human-scale sidewalk and street environment.

With a permit from Pittsburgh’s Department of Mobility and Infrastructure (DOMI), businesses can install dining areas on the sidewalk or the cartway.

Businesses have been able to apply for a permit to install outdoor dining in the cartway since 2018. The goal of this design package is to:

1. Overcome barriers to outdoor dining for retailers.
2. Standardize the types of outdoor dining installation.






The three concepts include varying price points, level of installation, and a range of amenities:

- **Simple** On Pavement
- **Platform** with Railing, and
- **Canopy** Platform with Roof

Each concept contains a barrier that separates diners from moving traffic and protects the structure from parking cars. The barrier is a design opportunity and the concept designs include differing levels of transparency, plantings, and railing height. Customizations are available.

# Pittsburgh Outdoor Dining

Concept Designs		page
<b>1</b>	<b>Simple</b> On Pavement	4
<b>2</b>	<b>Platform</b> with Railing	6
<b>3</b>	<b>Canopy</b> Platform with Roof	8

Add-Ons		page
	Outdoor Chairs & Tables	11
	Umbrellas	11
	Resin Planting Boxes	12
	Alternative Railings	13
	Winterization & Lighting	13



This preliminary concept is for planning purposes only. Field verification, site condition assessments, engineering analysis and design are necessary prior to implementing recommendations contained herein.



# Simple On Pavement

Just as the name implies, this design does not include a platform. The perimeter is made of concrete jersey barriers and is connected by horizontal wood slats. It is modular and adaptable to site conditions. A prefabricated ADA ramp allows wheeled access to the below-the-curb area.

More than one parking space may want to be considered because of the ramp footprint, (two parking spaces are shown). If the dining in the cartway is accompanied by accessible outdoor dining on the sidewalk, the ramp may not be needed.

Designs can range from 1 to 2 spaces, seating 6 to 10 customers per space.



## Components

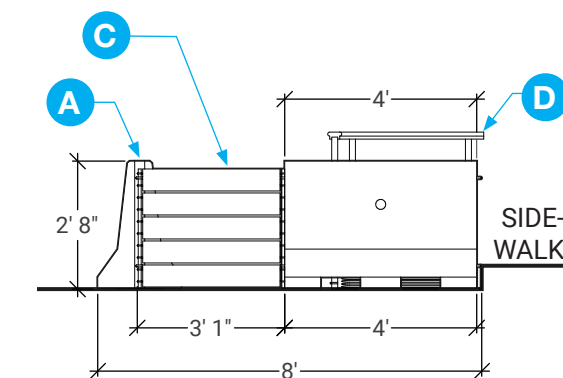
Key	Product	Qty***
A	Concrete Barrier*-4' Wide	7
B	Fabricated Slat Wall**-5'6" Wide	4
C	Fabricated Slat Wall**-3'6" Wide	2
D	Prefab ADA ramp with railing	1

\* Concrete must be painted.

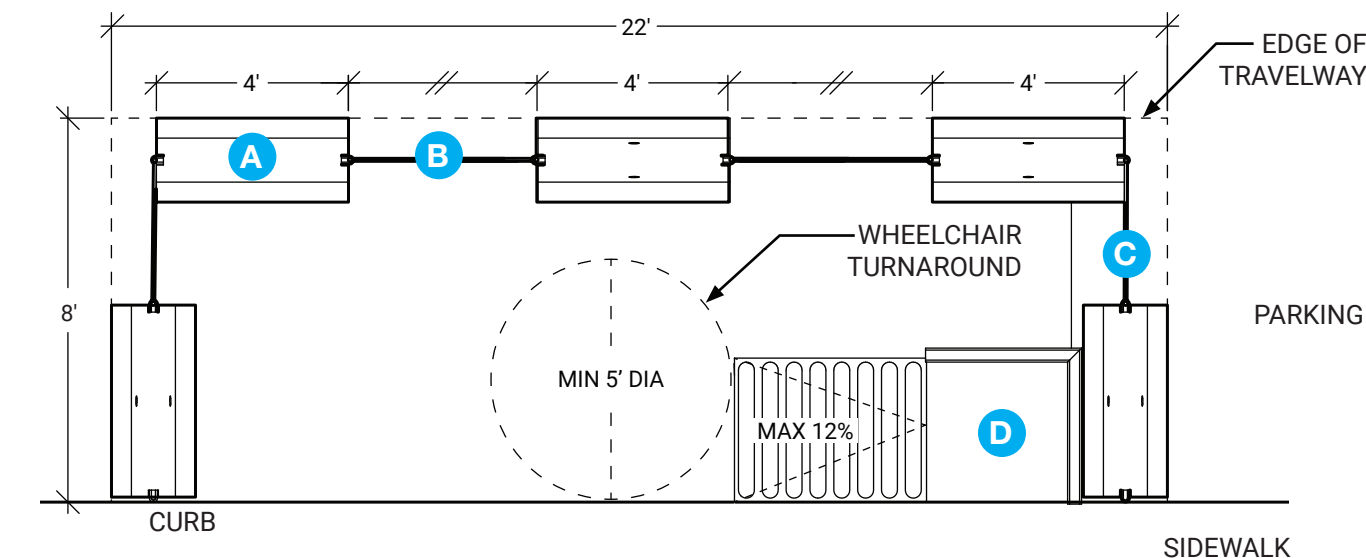
\*\* Wood components must be treated with outdoor paint or stain.

\*\*\* Quantities for two (2) parking spaces.

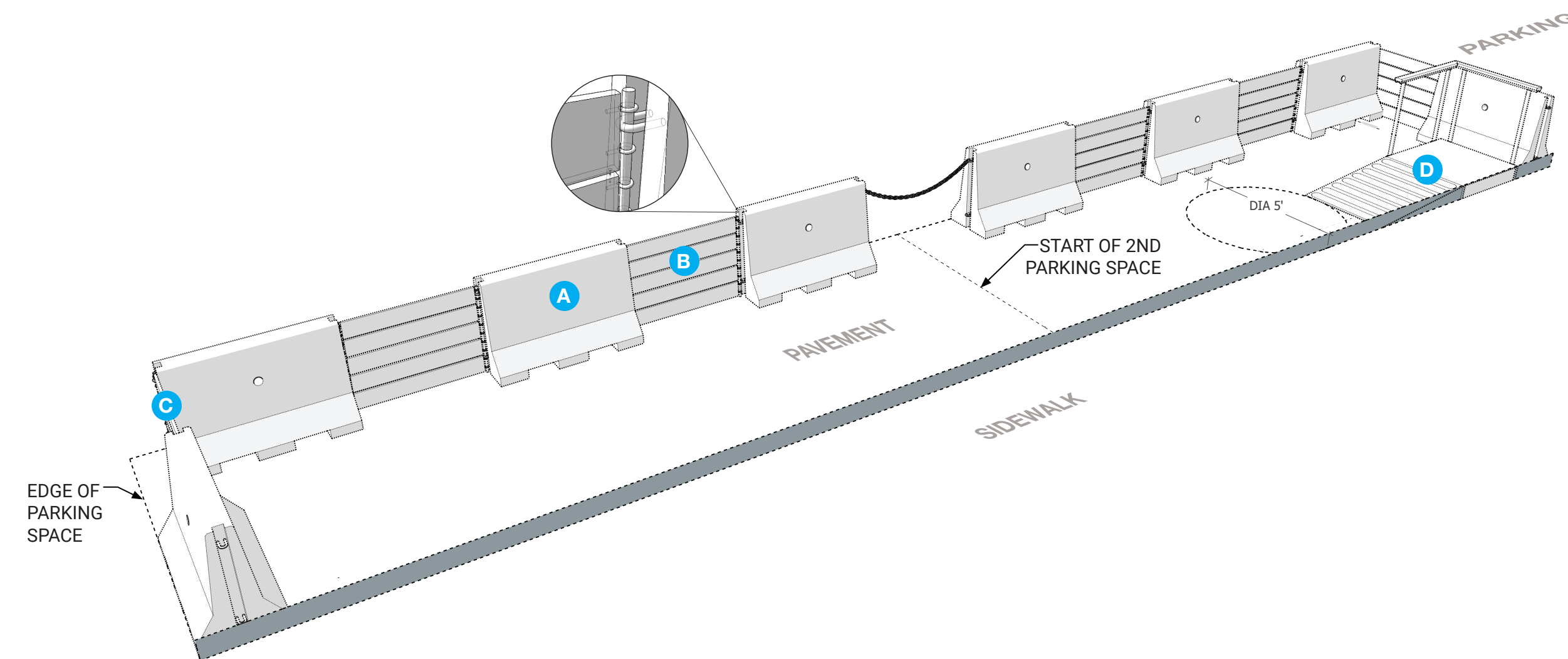
## Add-ons



Section-Elevation: Narrow Side  
1/4" = 1' - 0"



Concept Site Plan, Single Parking Space  
1/4" = 1' - 0"



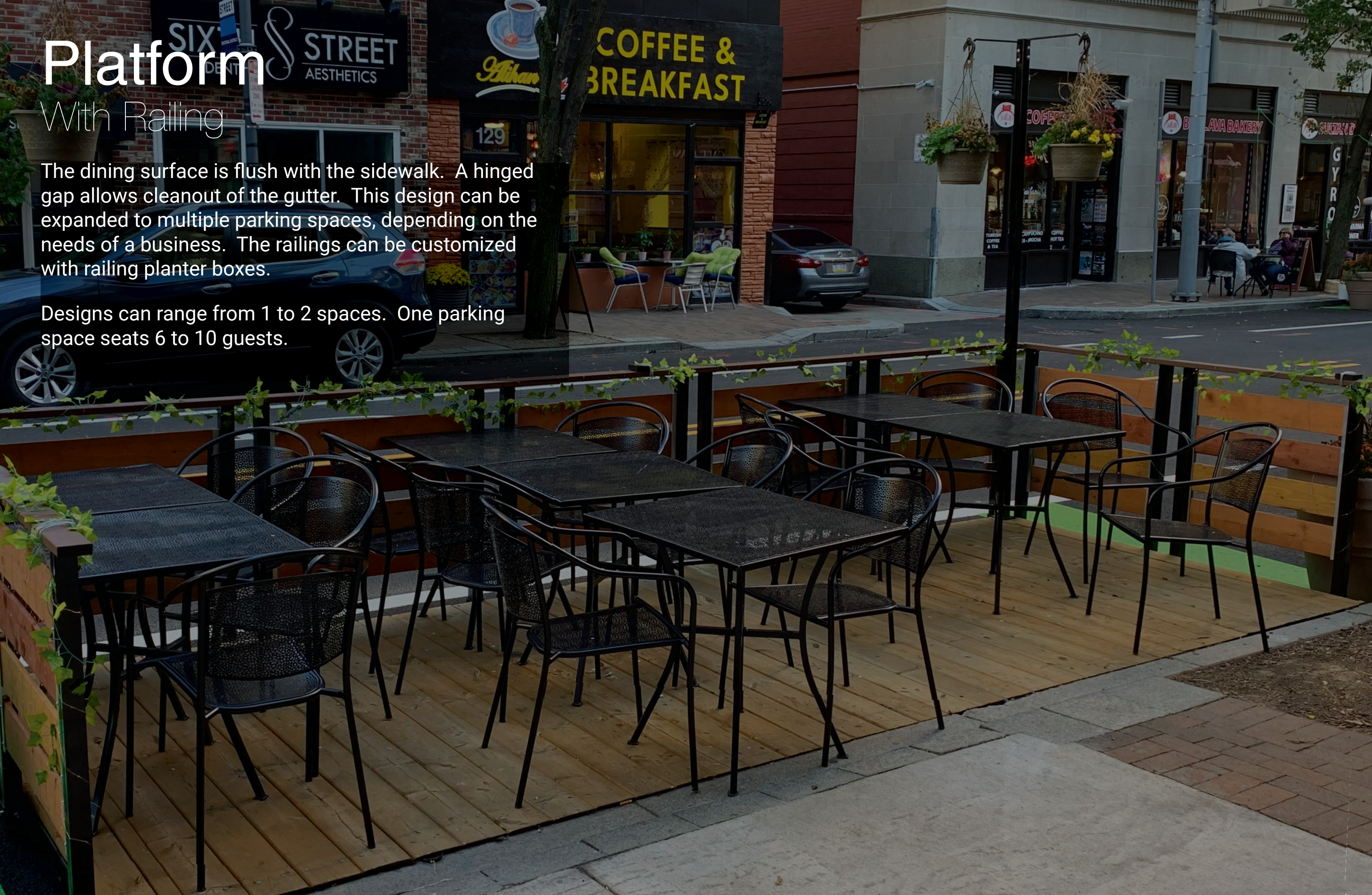


# Platform

## With Railing

The dining surface is flush with the sidewalk. A hinged gap allows cleanout of the gutter. This design can be expanded to multiple parking spaces, depending on the needs of a business. The railings can be customized with railing planter boxes.

Designs can range from 1 to 2 spaces. One parking space seats 6 to 10 guests.

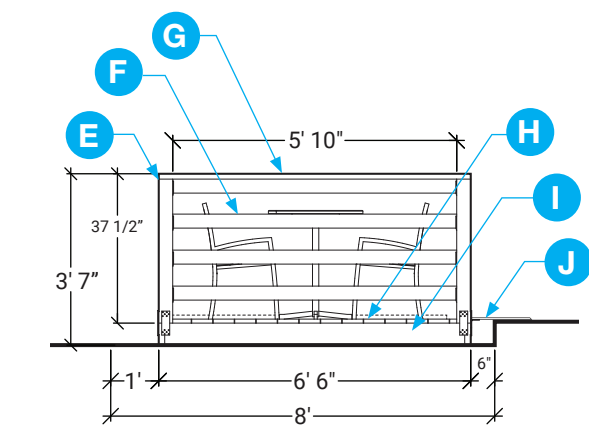


### Components

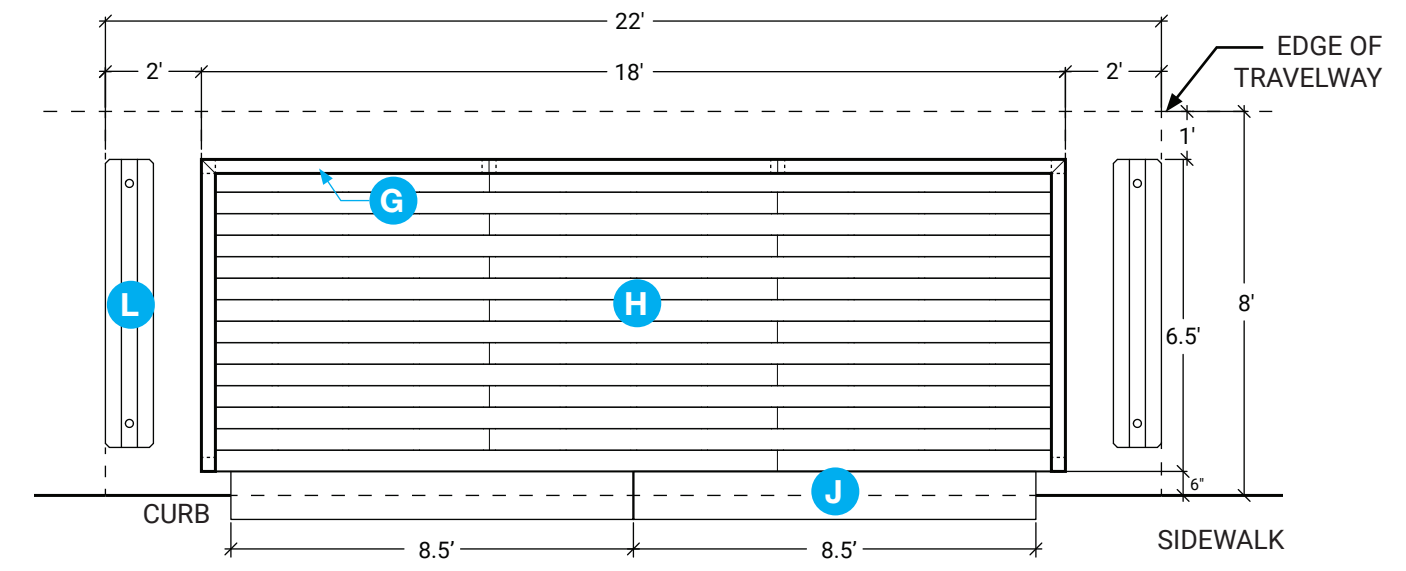
Key	Product	Qty
E	4x4 Vertical Railing Support**—36" Hgt.	6
F	2x4 Horizontal Railing**	5
G	2x4 Side Panel**—5'10" - 6'6" Long	16
H	Wood Decking**	1
I	2x6 Wood Frame*—6'6" x 18"	1
J	Steel Plate Spanning Gutter—9' Long	2
K	Continuous Piano Hinge	2
L	Concrete Wheel Stop—6'	2

\* Framing details and quantities in structural plan.  
 \*\* Wood components must be treated with outdoor paint or stain.

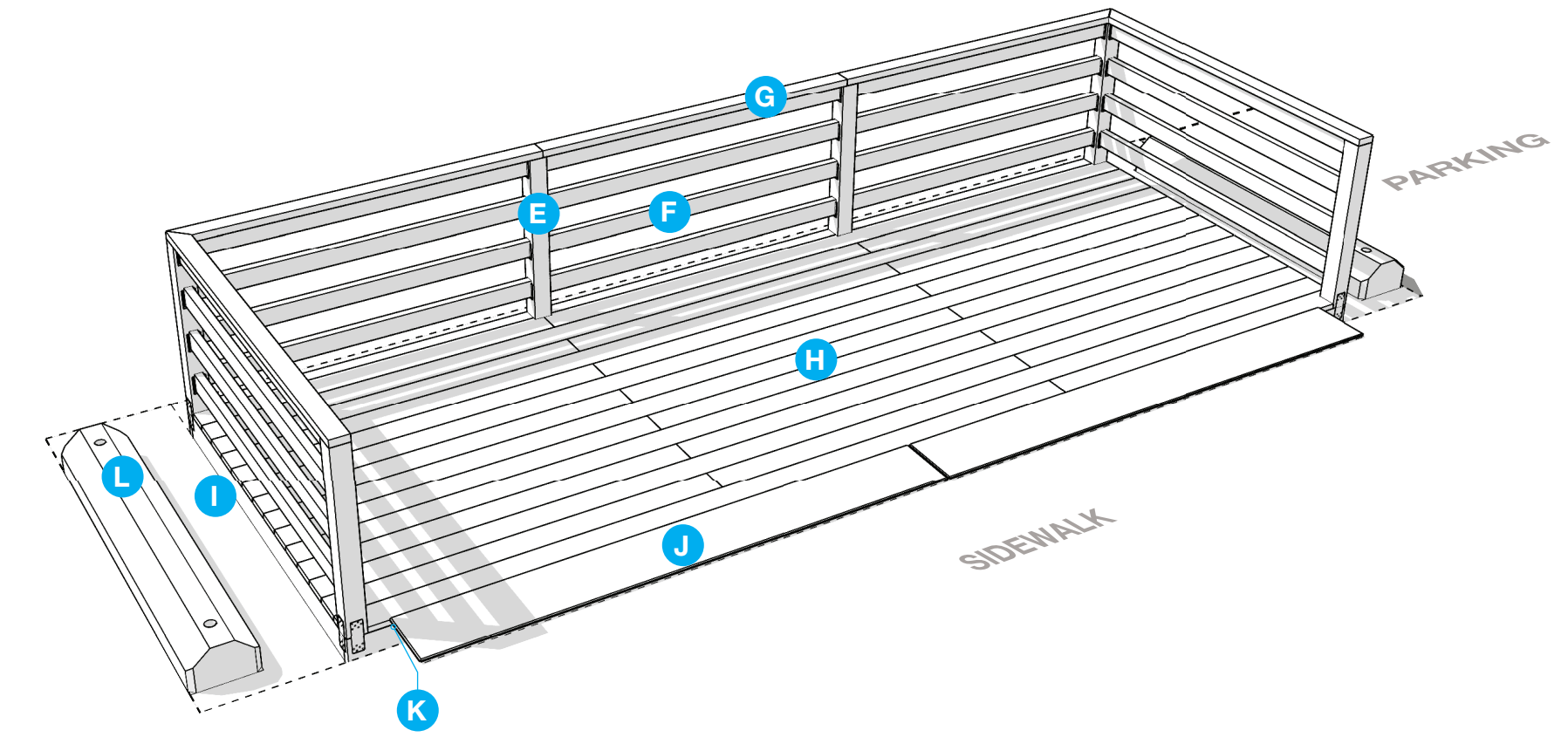
### Add-ons



Section-Elevation: Narrow Side  
 1/4" = 1' - 0"



Concept Site Plan  
 1/4" = 1' - 0"





# Canopy

## Platform with Roof

In this design, occupants are sheltered from the sun and rain. In addition to the Add-ons from the Platform Design, the Canopy Design can accommodate hanging planters, an electrical hook up, and winterization. Electric must be connected overhead from the sponsoring business.

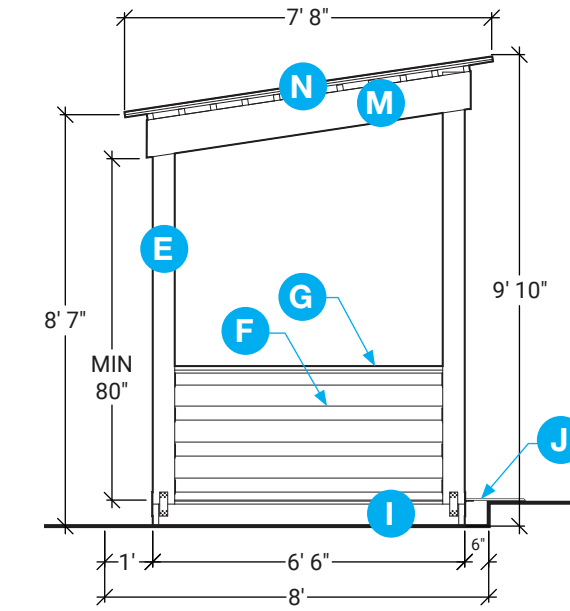
As with the platform design, this can be expanded to fill multiple parking spaces. One parking space seats 6 to 10 guests.

### Components

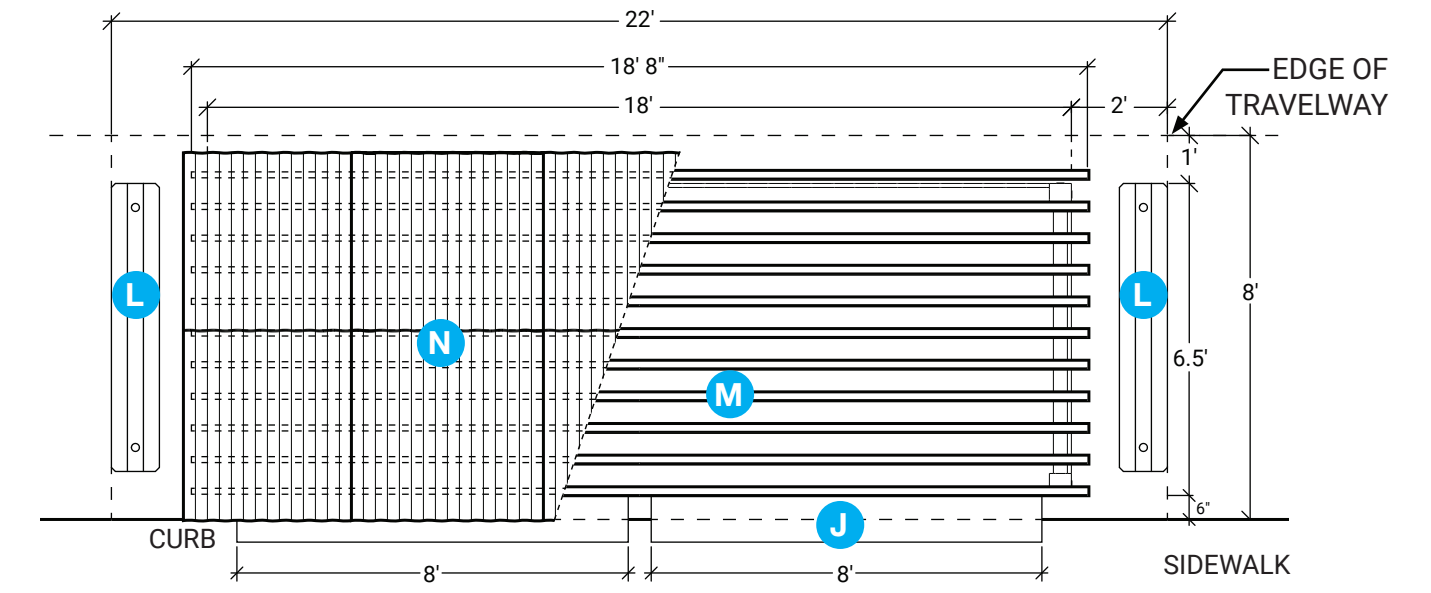
Key	Name	Qty
E	6x6 Vertical Roof Support—8 - 9' Hgt.	6
F	2x4 Railing**	5
G	2x4 Panel—5'10" - 6'6" Long	16
H	Wood Decking**	126ft <sup>2</sup>
I	2"x6" Wood Frame*—6'6" x 18'	1
J	Steel Plate Spanning Gutter	2
K	Continuous Piano Hinge	2
L	Concrete Wheel Stop—6'	2
M	Wood Roof Framing*	1
N	Polycarbonate Corrugated Roofing	149ft <sup>2</sup>

\*Framing details and quantities in structural plan.  
\*\*Wood components must be treated with outdoor paint or stain.

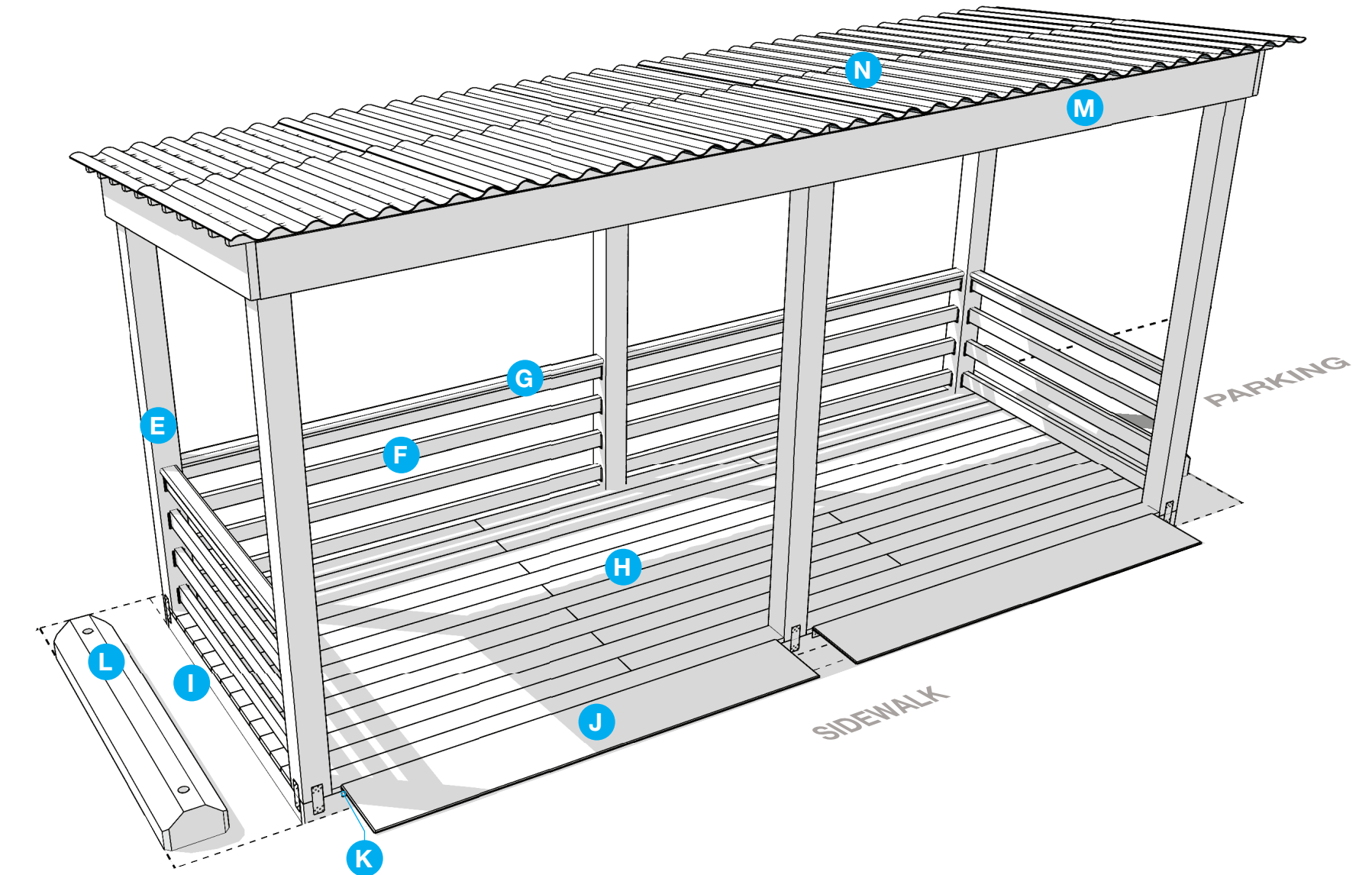
### Add-ons



Section-Elevation: Narrow Side  
1/4" = 1' - 0"



Concept Site Plan  
1/4" = 1' - 0"





# Add-ons

## Customization

The base designs are customizable depending on the desired look of each business. Each simple base is an opportunity to add seating, umbrellas, planters, and paint. The following images illustrate the different element that are designed to be added on to a base.



Outdoor Chairs & Tables



Umbrellas



Resin Planting Boxes



Alternative Railings



Paint



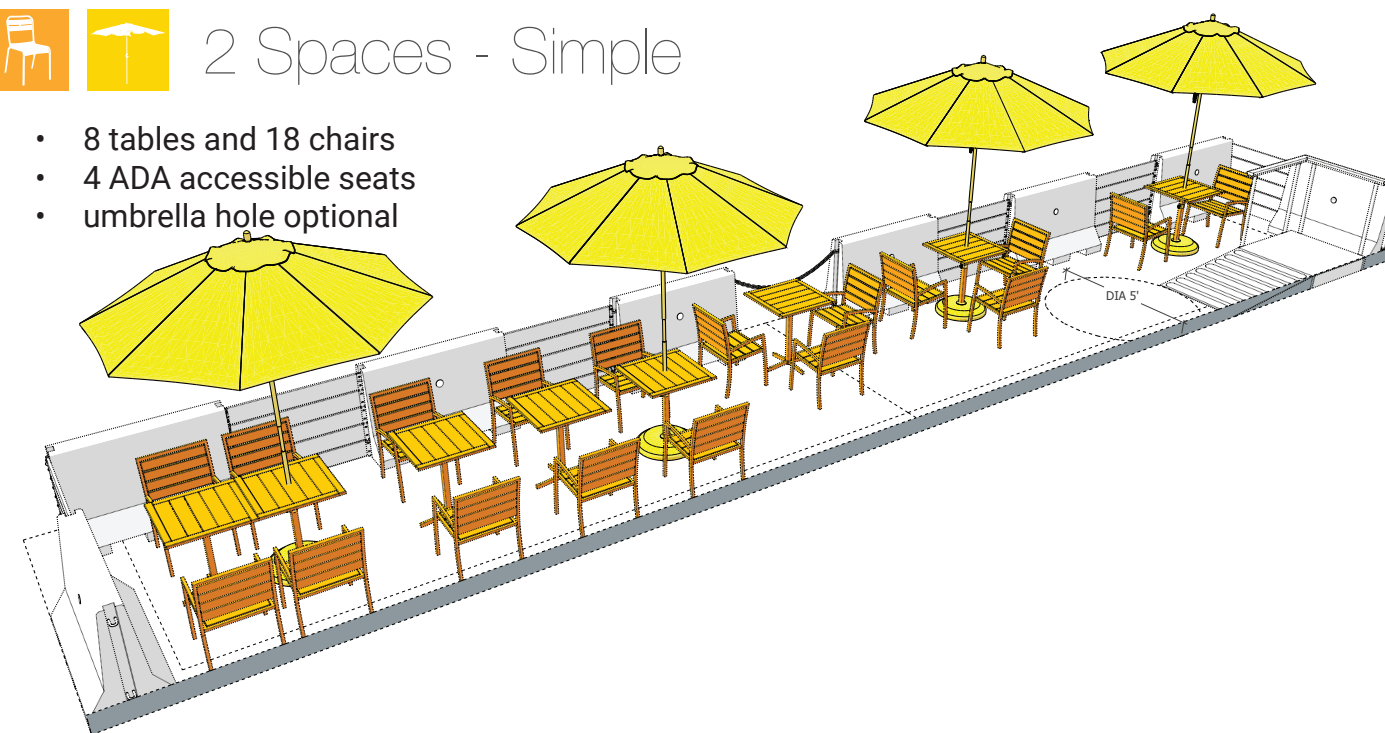
Winterization & Lighting

## Outdoor Tables & Chairs



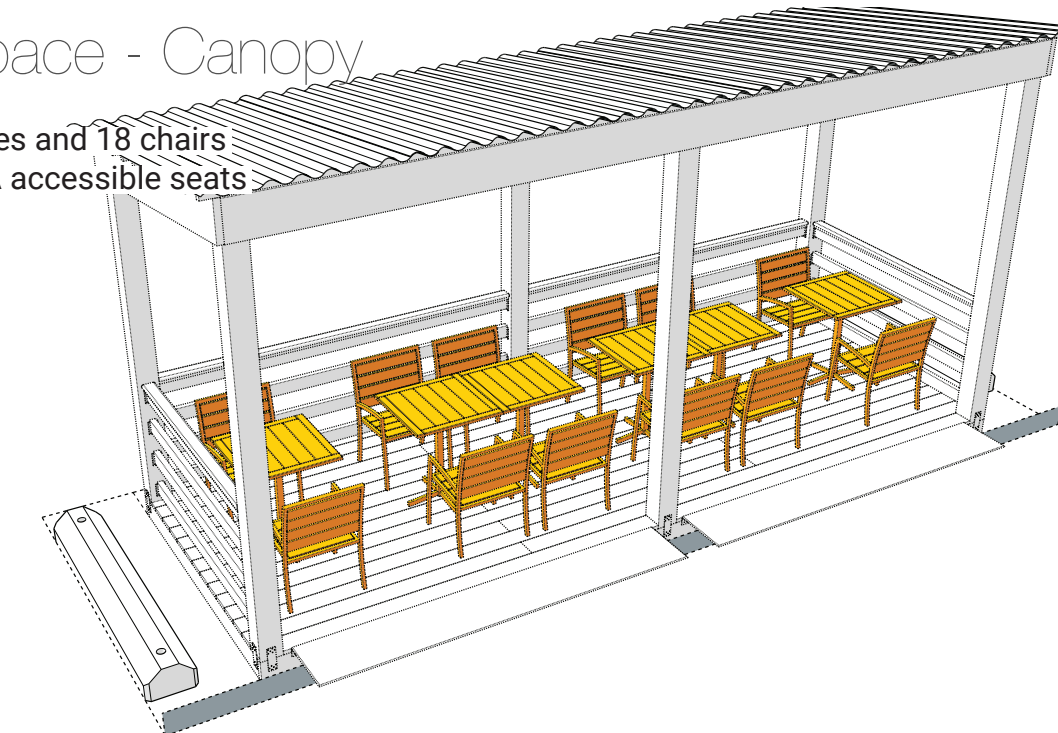
2 Spaces - Simple

- 8 tables and 18 chairs
- 4 ADA accessible seats
- umbrella hole optional



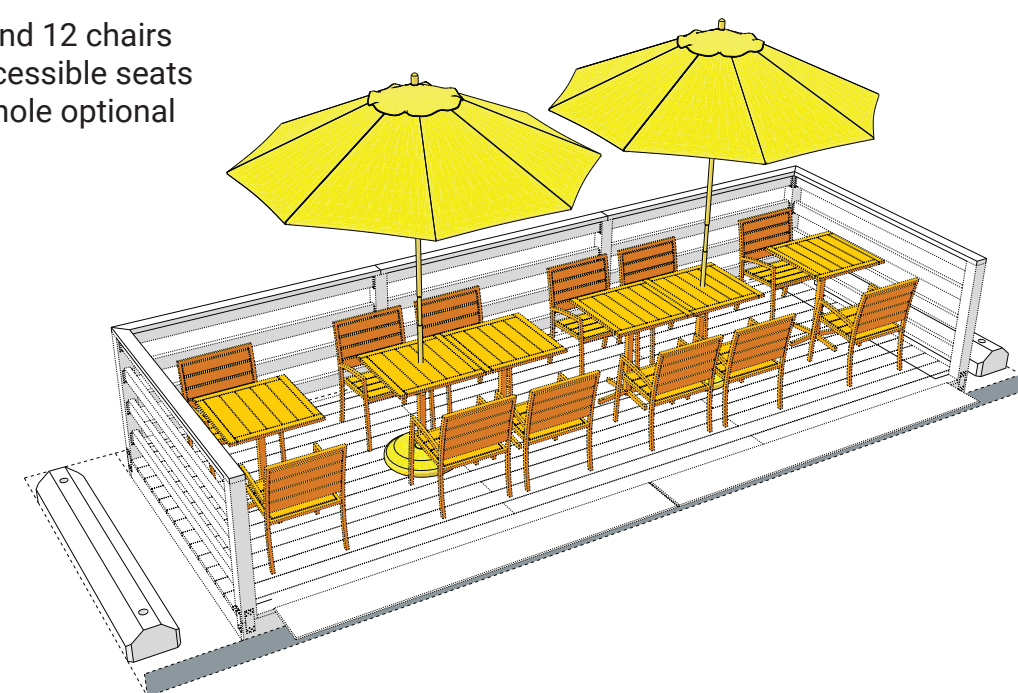
1 Space - Canopy

- 8 tables and 18 chairs
- 4 ADA accessible seats



1 Space - Platform

- 6 tables and 12 chairs
- 6 ADA accessible seats
- umbrella hole optional

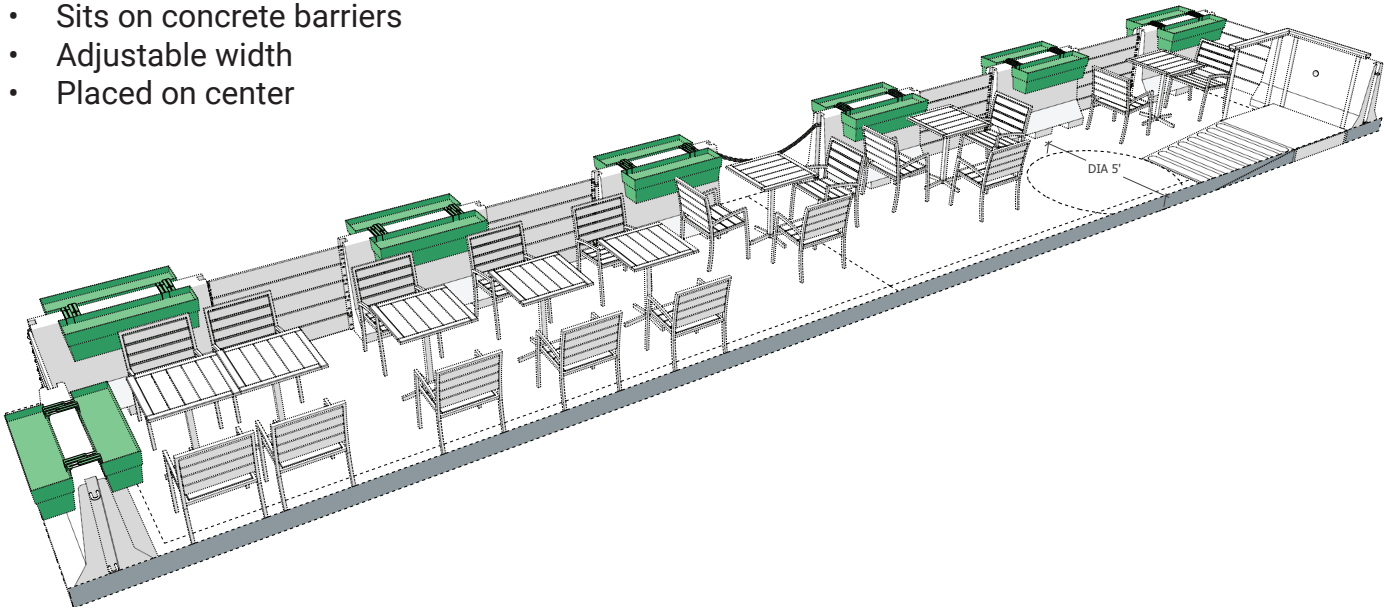




## Planting Boxes & Planters

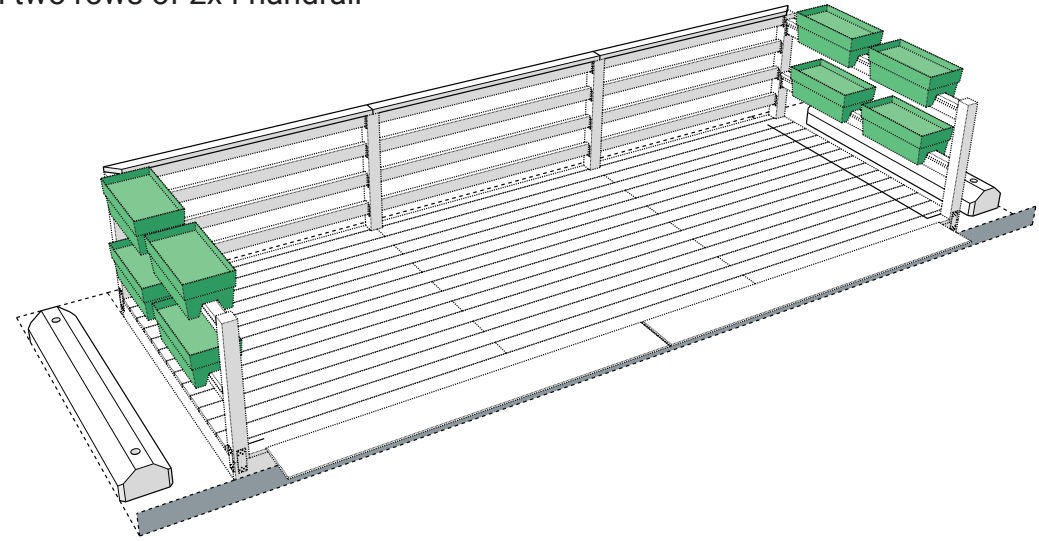
### Adjustable - Any

- Sits on concrete barriers
- Adjustable width
- Placed on center



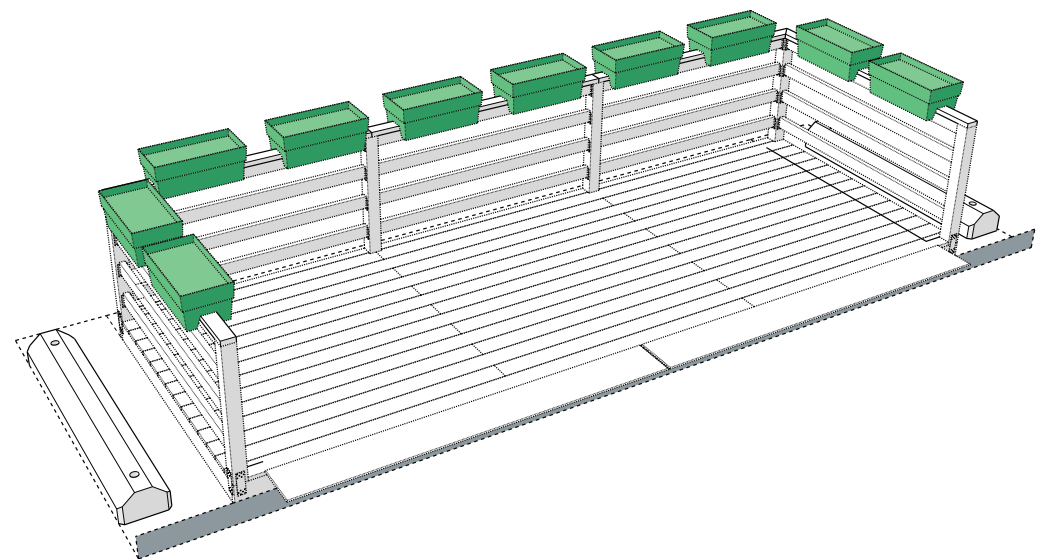
### Dual Planting Boxes - Platform

- Sits on two rows of 2x4 handrail



### Railing-Mounted- Platform, Canopy

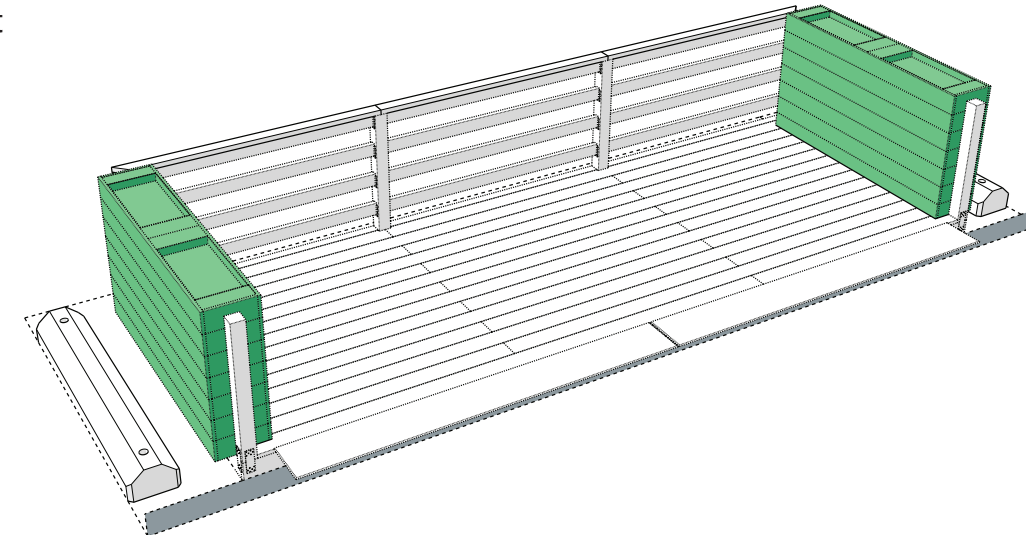
- Sits on 2x4 handrail, secured
- Up to 3 per railing panel



## Railing Alternatives

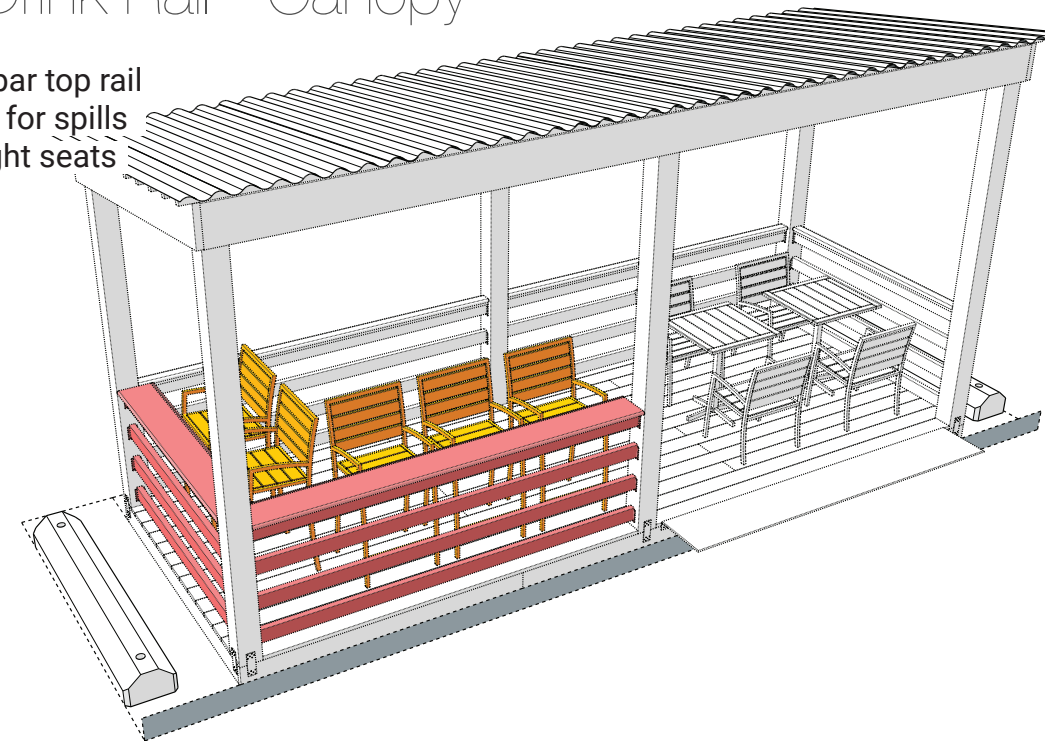
### Solid Planter Boxes - Platform

- Custom wood framing
- 2 planting boxes each
- 32" height



### Drink Rail - Canopy

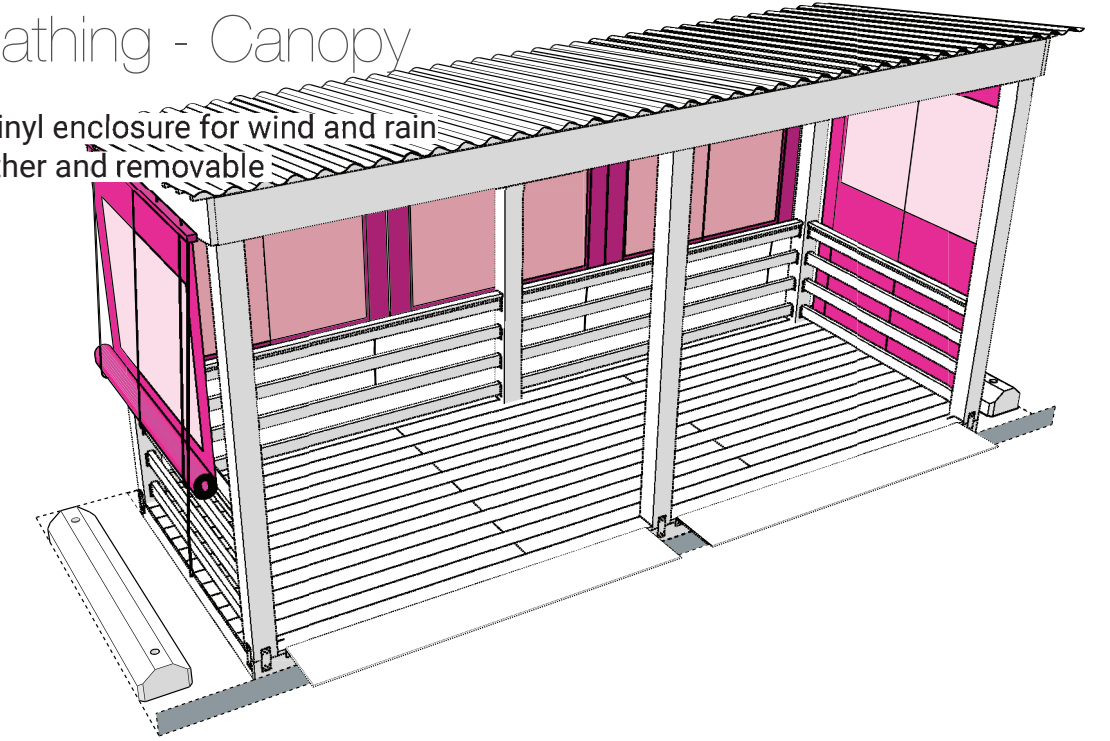
- 12"-wide bar top rail
- Tray inset for spills
- 5 Bar-height seats



## Winterization & Lighting

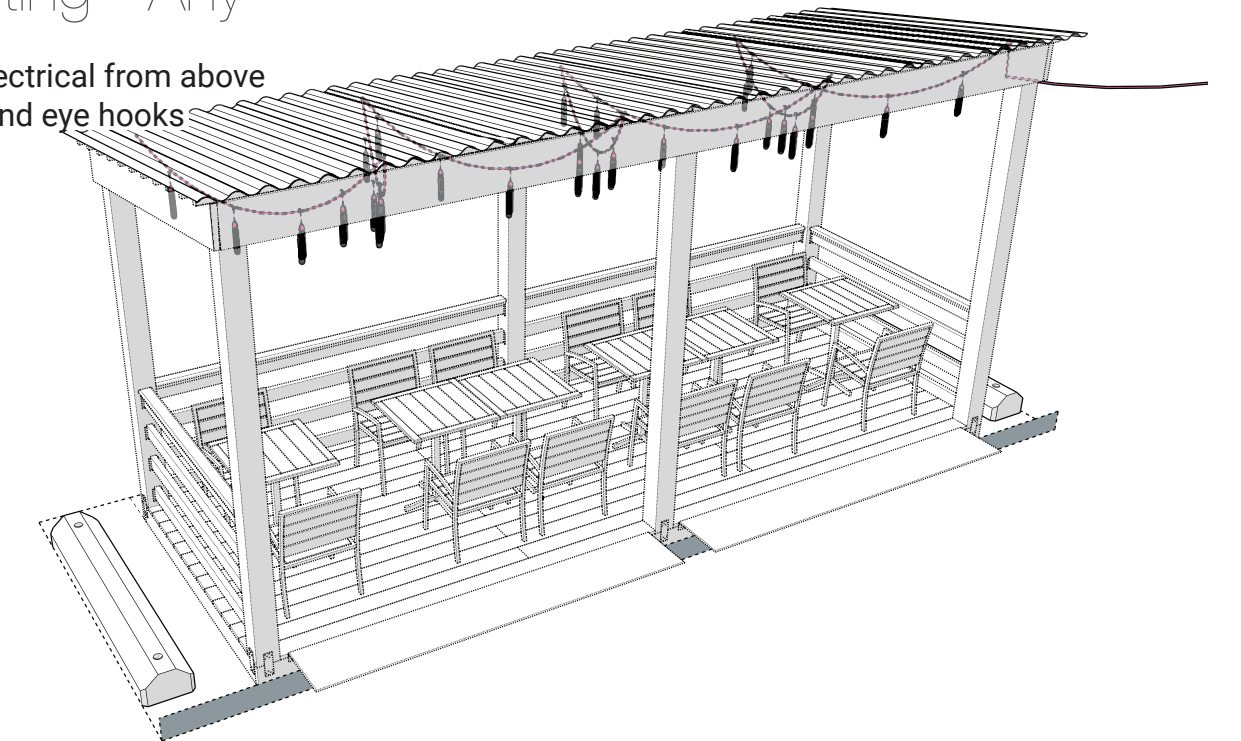
### Sheathing - Canopy

- Roll-up vinyl enclosure for wind and rain
- Zip together and removable



### Lighting - Any

- String electrical from above
- Cables and eye hooks







# Pittsburgh Outdoor Dining

**TOOLE**  
DESIGN

**ura**